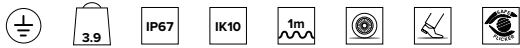
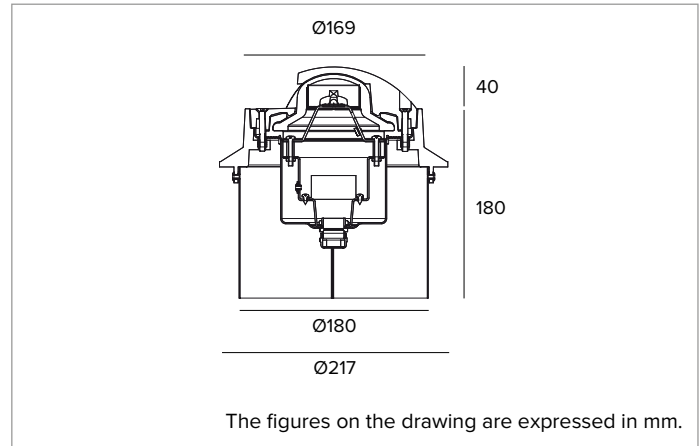


## 1E2771 | TITANO LED

### Semi-recessed fixture for white grazing light effect LED sources



|       |                 |               |       |
|-------|-----------------|---------------|-------|
| EV331 | Imax=3661cd/klm | 4000K         |       |
|       |                 | Ra80          |       |
|       |                 | Fixture Power | 6W    |
|       |                 | Source Flux   | 54lm  |
|       |                 | Fixture Flux  | 54lm  |
|       |                 | Efficacy      | 9lm/W |
|       |                 | Imax          | 196cd |



#### SOURCE

High efficiency multichip LED Emitter.

**Energy efficiency class:** G

**Nominal power:** 5W

**Nominal flux:** 54lm

**Colour rendering index:** 80

**Rf:** 76.3

**Rg:** 97.9

**CCT nominal:** 4000K

**SDCM:** 2

**Lifetime (L80/B10):** >50000h tq +25°C

#### ILLUMINOTECHNICAL CHARACTERISTICS

Mono-directional emission.

**Emission:** MONO-DIRECTIONAL EMISSION

**Optical efficiency:** 100%

**Fixture flux:** 54lm

**Luminous efficacy:** 9lm/W

**Photobiological safety:** Compliant with RG1 low risk group

#### MECHANICAL CHARACTERISTICS

Stainless steel body. Painted anodised aluminium ring and cover. Ribbed glass lens for blade of light effect.

**Colour and finish:** Ferrite

**Weight:** 3.9Kg

**Degree of protection:** IP67

**Mechanical Resistance:** IK10

#### ELECTRICAL CHARACTERISTICS

Integrated electronic power supply. Pre-cabled with a 1m H07RN-F (3G1.5mm<sup>2</sup>) cable and a PG16 cable gland. Luminaire compliant with EN 60598-2-22 for power supply from a centralised emergency system CPSS (Central Power Supply System), not incorporated in the luminaire - high risk areas excluded. The default power and flux are 100% in AC and 100% in DC.

**Fixture Power:** 6W

**Power supply:** 220-240Vac 50/60Hz

**Insulation Class:** CLASS 1

**Type of driver / Control:** ON-OFF

**Driver included:** YES

**Class F:** YES

**SAFE FLICKER:** PstLM=<1 and SVM=<0.4 (IEC TR 61547-1 and IEC TR 63158), to ensure a more comfortable and safe light

**Ambient temperature:** -25°C / +35°C

#### INSTALLATION

Resistant to static loads of up to 20kN.

#### NOTES

Uses the "Waterblock Smart" technical solution that involves resin coating the connection cables, limiting the risk of humidity reaching the driver or the fixture. It is possible to subject the product to Cataphoresis treatment on request. 110-277Vac version available on request.

#### WARRANTY

5 years.

#### WARNING

Luminaire designed for disposal/recycling at end-of-life. Replaceable (LED only) light source by a professional. Replaceable control gear by a professional.

*Due to the technological evolution of the electronic components, the data provided may be updated, and as such, confirmation must be requested during the order process.*

*Luminous flux and power supply have +/-10% tolerances with respect to the indicated value. tq +25°C (CIE 121).*

*We reserve the right to make technical changes.*

Targetti Sankey S.r.l.  
Via Pratese, 164  
50145 Firenze - Italy  
Tel: +39 055 37911  
targetti.com  
targetti@targetti.com

CCIAA Firenze  
Share Capital:  
€ 500.000,00  
VAT N. (IT):  
01537660480  
R.E.A: FI-275656

**TARGETTI**

## 1E2771 | TITANO LED

### Semi-recessed fixture for white grazing light effect LED sources

## Accessories

### Connector



Code

**1E2769**

Linear connection box IP66/IP68.  
5 poles max. wire section 1.5mm<sup>2</sup>.  
Cable diameter range from 7 to 12mm.

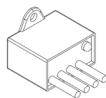


Code

**1E2494**

Multiple connection box IP68.  
1 IN - 3 OUT 4 poles max. wire section 2.5mm<sup>2</sup>.  
Cable diameter range from 6 to 12mm.

### Surge protector



Code

**A013A**

Surge protector compatible with CLASS I lighting fixtures.  
Operating voltage 230-277Vac.  
SPD type 2+3.  
Max surge protection 10kV.  
CLASS I  
IP67

Due to the technological evolution of the electronic components, the data provided may be updated, and as such, confirmation must be requested during the order process.  
Luminous flux and power supply have +/-10% tolerances with respect to the indicated value. tq +25°C (CIE 121).

We reserve the right to make technical changes.

Targetti Sankey S.r.l.  
Via Pratese, 164  
50145 Firenze - Italy  
Tel: +39 055 37911  
targetti.com  
targetti@targetti.com

CCIAA Firenze  
Share Capital:  
€ 500.000,00  
VAT N. (IT):  
01537660480  
R.E.A: FI-275656

# TARGETTI